

Stainless Steel- Thread adapters

Thread / Thread

SPECIFICATION

Stainless Steel

- AISI 304
- blank, unfinished

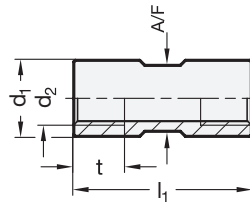
INFORMATION

GN 480.8 thread adapters can attach e.g. air nozzles or coolant nozzles and their feed pipes with clamp mountings and hold them in position.

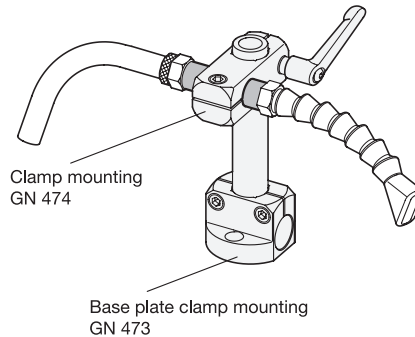
The d2 thread diameters are compatible with the most common bolt diameters.

TECHNICAL INFORMATION

- Stainless Steel characteristics (see page A26)
- ISO Fundamental Tolerances (see page A21)



Application example



GN 480.8

STAINLESS STEEL

Description	d1 h9	d2 - t	l1	A/F	△
GN 480.8-D10-M5	D 10	M 5 - 8.5	30	8	14
GN 480.8-D10-M6	D 10	M 6 - 10.5	30	8	13
GN 480.8-D12-M7	D 12	M 7 - 11.5	30	10	18
GN 480.8-D12-M8x1	D 12	M 8x1 - 10	30	10	16
GN 480.8-D15-M10x1	D 15	M 10x1 - 10	35	13	29
GN 480.8-D15-G1/8	D 15	G 1/8 - 8	35	13	30
GN 480.8-D16-M12x1,5	D 16	M 12x1.5 - 14	35	14	37
GN 480.8-D16-G1/8	D 16	G 1/8 - 8	35	14	37
GN 480.8-D20-M16x1,5	D 20	M 16x1.5 - 15	40	18	40
GN 480.8-D20-G3/8	D 20	G 3/8 - 12	40	18	36
GN 480.8-D20-G1/4	D 20	G 1/4 - 12	40	18	40

